

Chapter 5 Maintenance

This chapter explains how to replace the toner container and the waste toner box and how to clean the internal parts of the printer. When you replace the toner container, make sure to clean the internal parts of the printer.

1. Toner Container Replacement

The toner container in the printer should be replaced as soon as the message display shows `Toner low` or soon after. If you continue to use the printer, eventually the toner supply will be exhausted at which point the printer will stop printing and the `Replace toner Clean printer` message will be shown instructing you to install a new toner kit.

1.1 Toner Container Replacement Interval

Assuming an average toner coverage of 5% and Ecoprint mode turned off, the toner container will need replacing approximately once every 40,000 pages.*

*For a new printer with a toner kit installed for the first time, the number of copies that can be printed will be approximately 20,000.

Toner Kits to be Used

Name: TK-70 (40,000 pages)

Contents: Toner container

Waste toner box

Wiper cloth

Grid cleaner

2 plastic bags (for disposal of the old toner container and waste toner box)

Installation Guide

NOTE

- Be sure to distance items such as floppy disks during toner container replacement.
- Be sure to clean the inside of the printer when replacing the toner container.
- Use of original Kyocera Mita toner kits is highly recommended to prevent printer trouble and ensure the long life of the printer.

1.2 Replenishing Toner

Replace the toner container using the following procedures.

- 1 Open the printer front cover all the way.

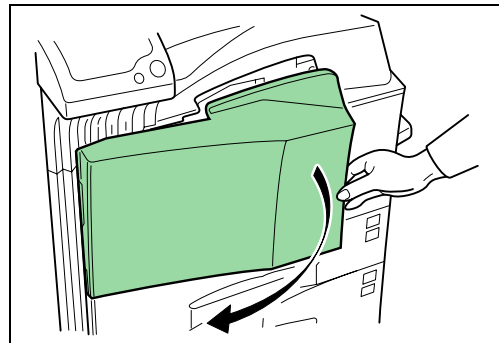


Figure 5-1

- 2 Push the lock lever (blue colored) up and gently remove the toner container until its handle appears.

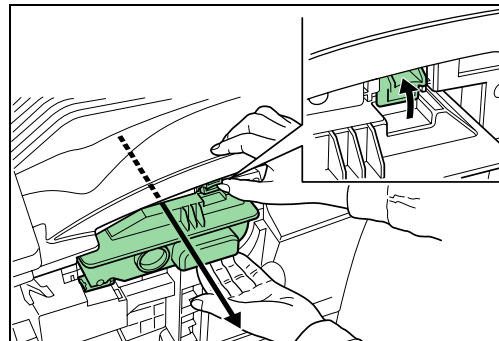


Figure 5-2

NOTE

Do not pull the toner container all the way as it can fall off and the toner spots the floor.

- 3** Grasp the handle on the toner container, push the lock lever up again and gently lift the toner container.

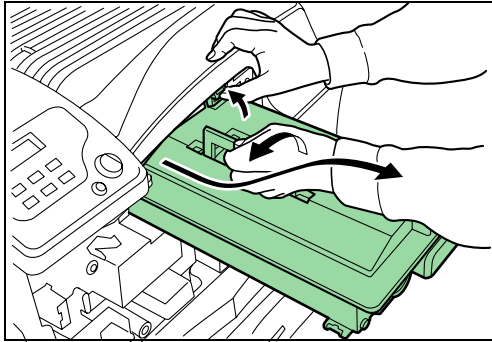


Figure 5-3

- 4** Seal up the old toner container with the supplied plastic bag and dispose of it.

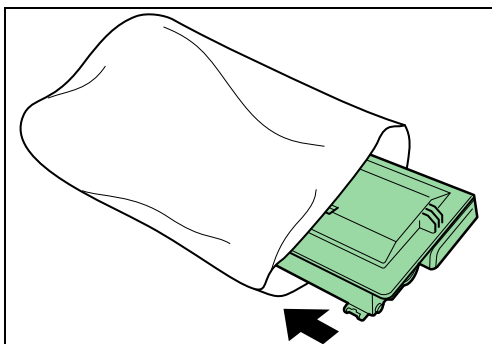


Figure 5-4

- 5** Lightly tap the new toner on the top 5 to 6 times.

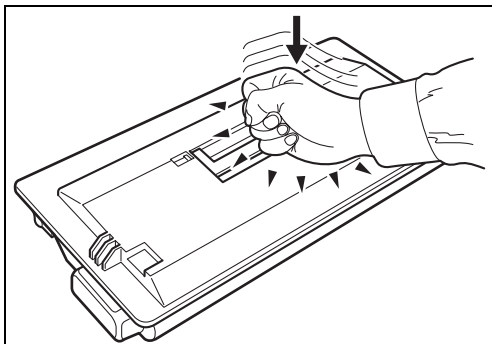


Figure 5-5

- 6** Thoroughly shake the toner container (in the direction of the arrow) ten times or more to loosen and mix the toner inside.

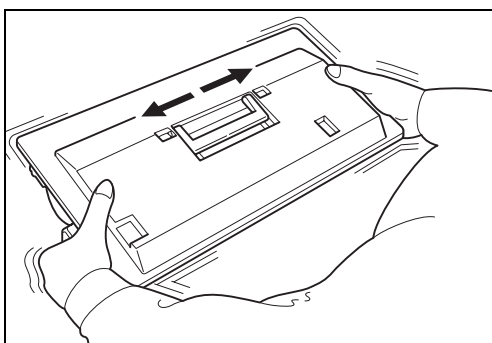


Figure 5-6

- 7** Grasp the handle on the toner container and insert the toner container along the rail of the printer.

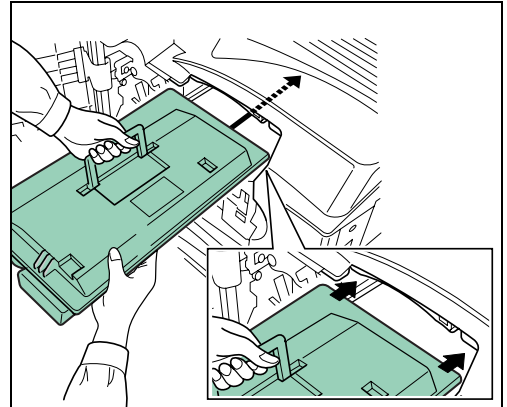


Figure 5-7

When inserting, be sure that the gear side of the toner container faces the printer. Leave the front cover open to allow insertion of the waste toner box.

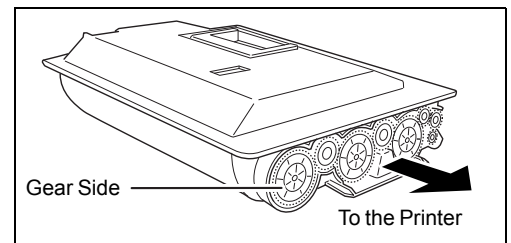


Figure 5-8

- 8** Hold the toner container using both hands and fully insert it into the printer.

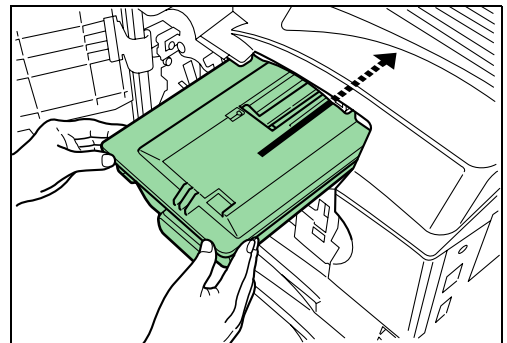


Figure 5-9

- 9** Remove the old waste toner box as shown in the figure.

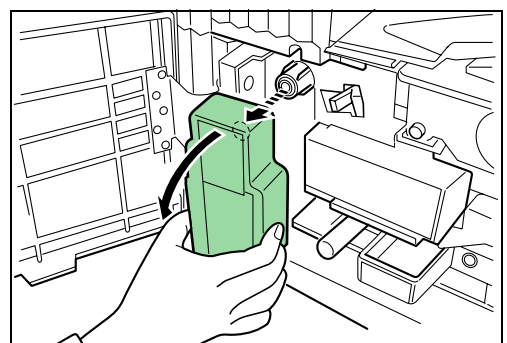


Figure 5-10

- 10** Remove the seal from the rear of the old waste toner box, and then close the opening of the box with the seal. Seal up the old waste toner box with the supplied plastic bag and dispose of it.

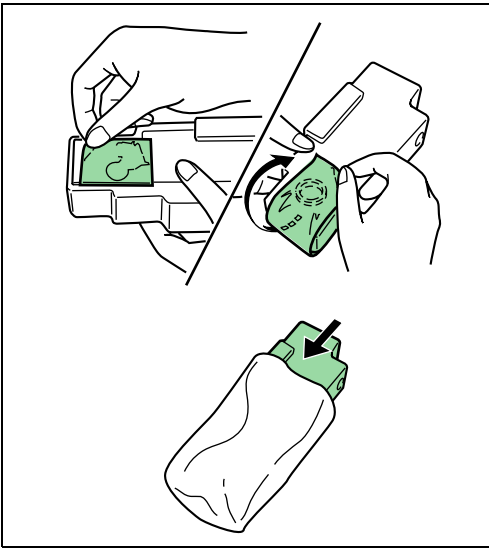


Figure 5-11

- 11** Gently pull the cleaning knob as far as it will go, push and pull it several times, and then push it back in.

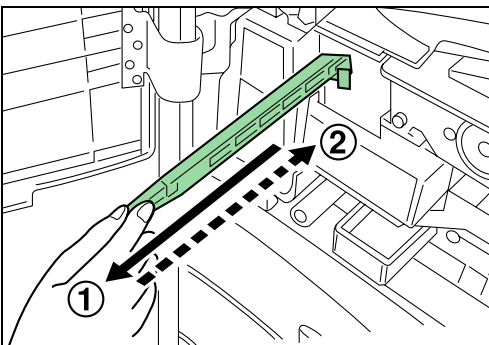


Figure 5-12

- 12** Take out the new grid cleaner from the protective bag, and then remove the cap from the grid cleaner.

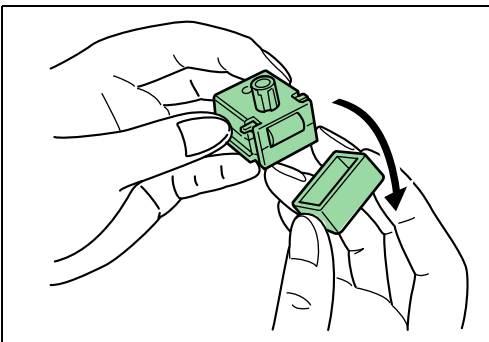


Figure 5-13

- 13** Pull the main charger approximately 5 cm (2 inches) out.

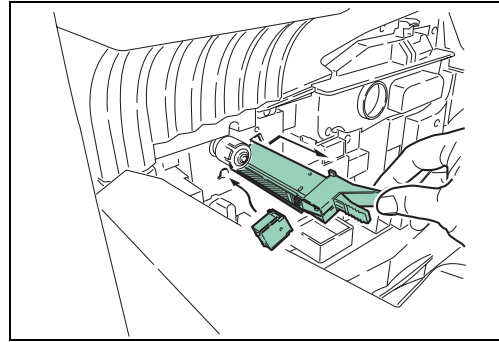


Figure 5-14

- 14** While avoiding the main charger roller (A) to be in contact with the grid cleaner pad, push and pull the main charger several times. (Do not push the main charger all the way in. Otherwise, water from the pad will cause the main charger unit to become wet and this may affect printing.)

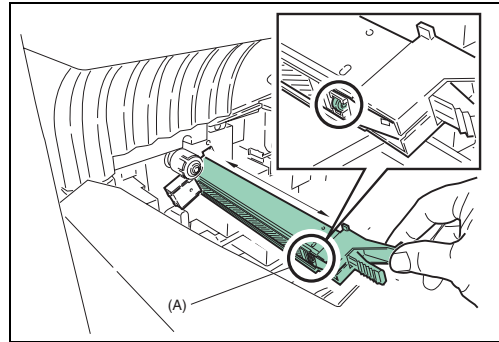


Figure 5-15

When the grid is clean, remove the grid cleaner from the printer and dispose of it. The grid cleaner is not re-usable.

- 15** Fit the new waste toner box to the printer.

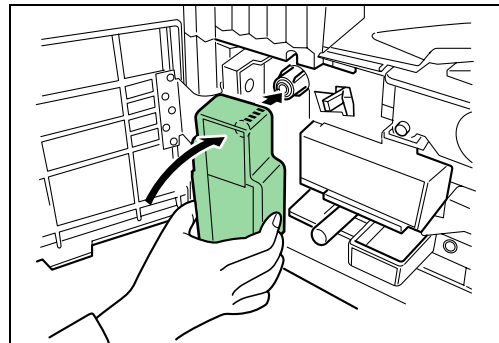


Figure 5-16

- 16** Remove the blue colored cleaning brush.

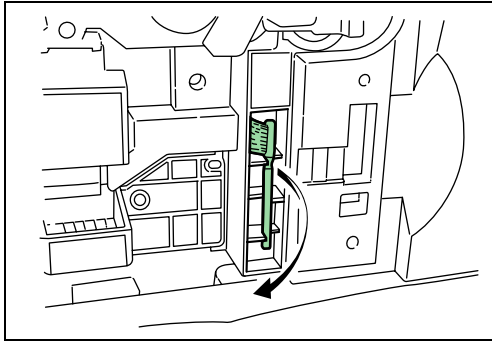


Figure 5-17

- 17** Pull up the lock lever on the left side of the printer, and open the left cover 1.

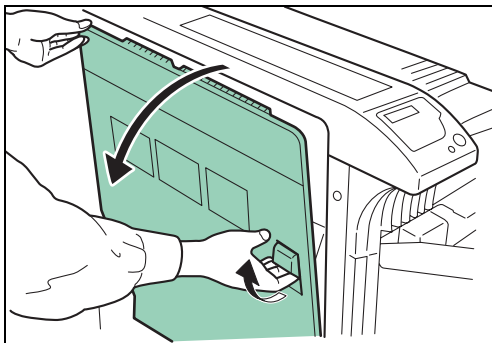


Figure 5-18

- 18** Clean the separator by moving the cleaning brush from left to right along with the separator.

NOTE

When removing jammed paper, be careful not to touch the printer drum. This can cause printer malfunction.

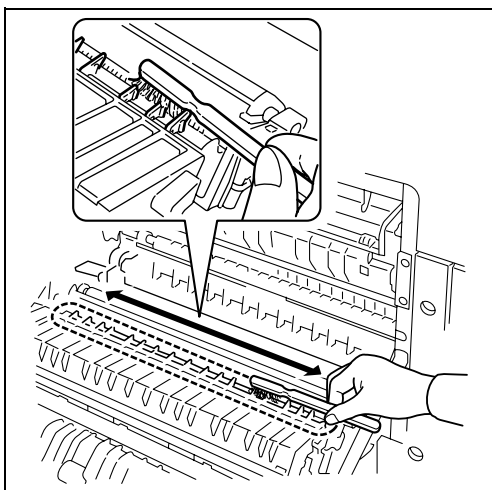


Figure 5-19

- 19** Replacing of toner and cleaning of the internal parts of the printer are completed. Close the front cover and the left cover 1.

Allow approximately five minutes before using the printer until the main charger unit has dried up.