

Section 9 MAINTENANCE AND OPERATION INFORMATION

Cleaning the Copier



CAUTION

Remove the power plug from the outlet during cleaning operations as a safety precaution.

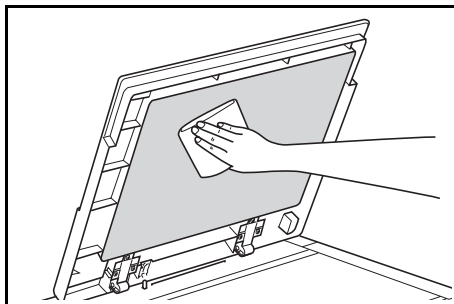
Cleaning the Original Cover

Open the Original Cover and use a cloth dampened with alcohol or a dilute neutral detergent to clean the underside of the Original Cover.



IMPORTANT!

Do not use thinner, organic solvents etc.



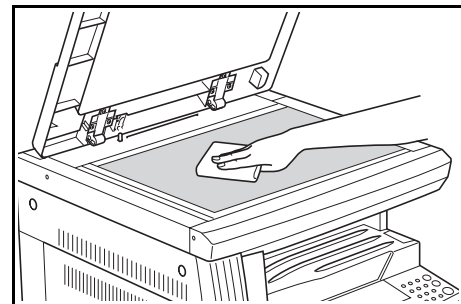
Cleaning the Platen

Open the Original Cover and use a cloth dampened with alcohol or a dilute neutral detergent to clean the Platen.



IMPORTANT!

Do not use thinner, organic solvents etc.



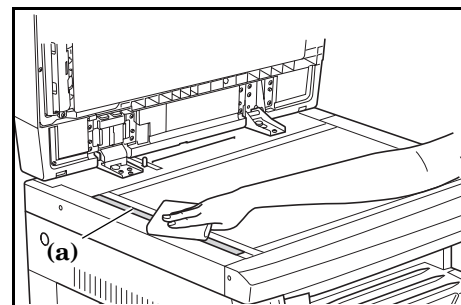
Cleaning the Slit Glass

When black streaks appear on copies when using the optional Document Processor, this means that the Slit Glass (a) is dirty. Use a soft dry cloth to clean the slit glass.



IMPORTANT!

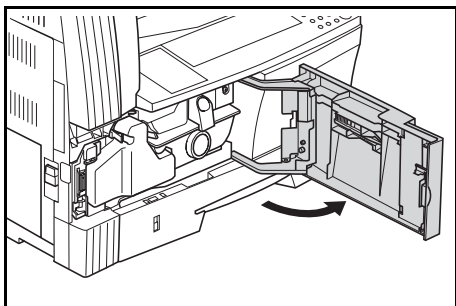
Do not use water, thinner, organic solvents, alcohol, etc.



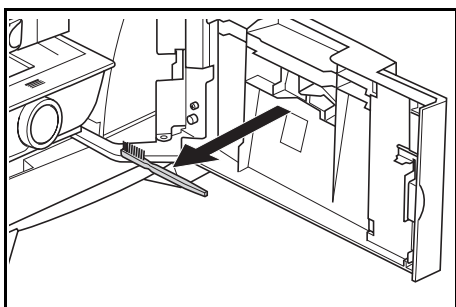
* Refer to P.9-4 "Replacing the Toner Container and Waste Toner Box" for instructions for cleaning the inside of the copier.

Cleaning the Separation Pawl

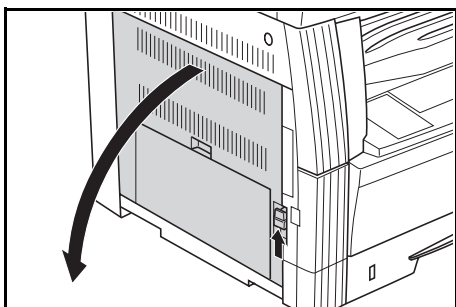
1 Open the front cover.



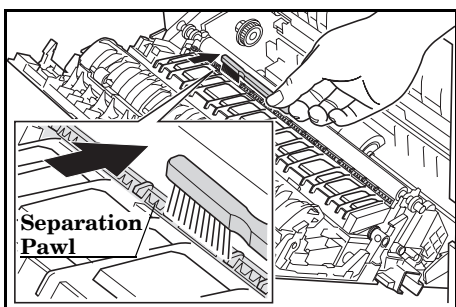
2 Remove the cleaning brush.



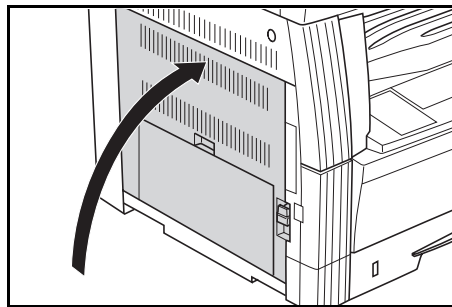
3 Grasp the Left Cover handles to lift the cover and open it.



4 Brush from the left side to the right side along the separation pawl as shown in the illustration to remove any dirt or dust.

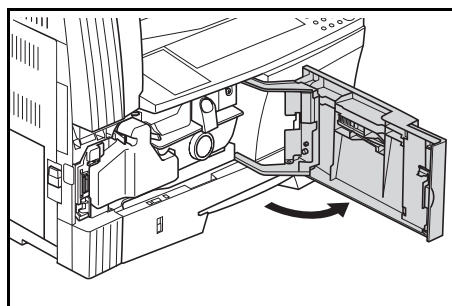


5 Close the front cover.

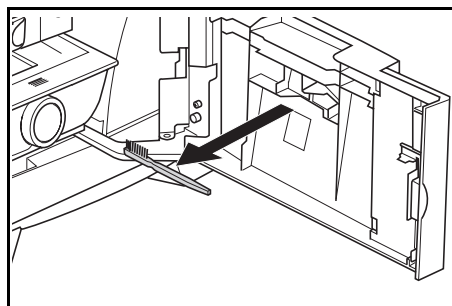


Cleaning the Transfer Rollers

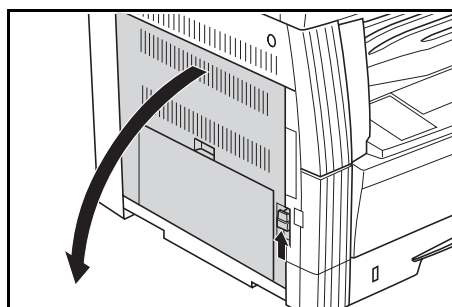
1 Open the front cover.



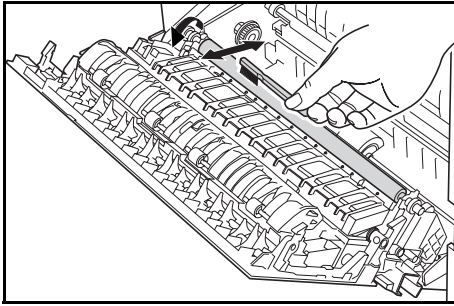
2 Remove the cleaning brush.



3 Grasp the Left Cover handles to lift the cover and open it.



- 4** Turn the Left Transport Roller gear as shown in the illustration and move the brush from left to right while turning the gear to remove any dust or dirt on the rollers.



- 5** Close the front cover.

